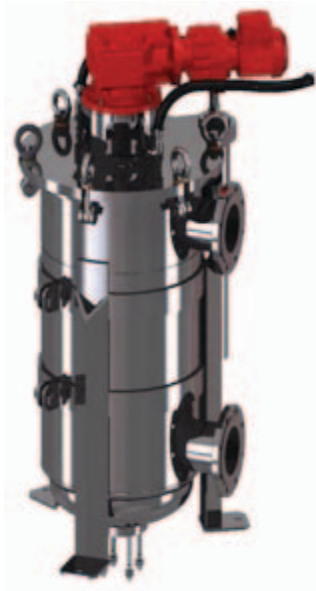


SELTEK

Liquid Filtration Solutions

Filter systems we offer today

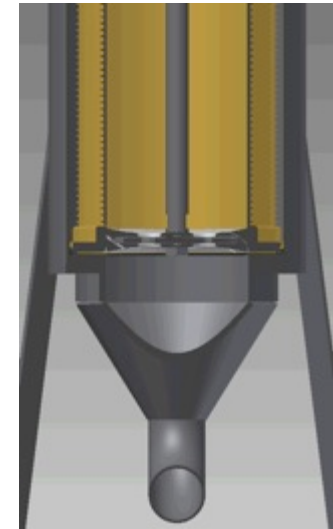
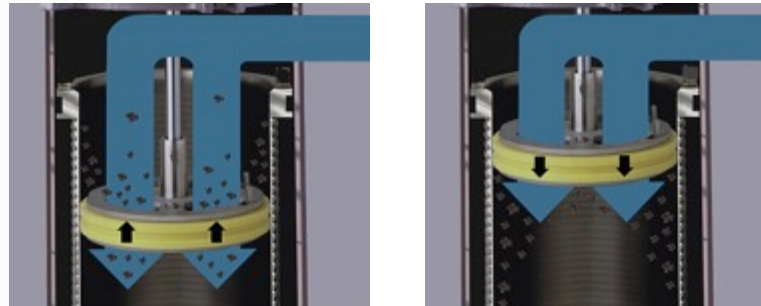


Bag filters



Basket and cartridge filters for screening of various liquid materials. SS or synthetic bag inserts. Spare parts for R-P filters like Certa-Seal are available. Inexpensive solution, manual maintenance.

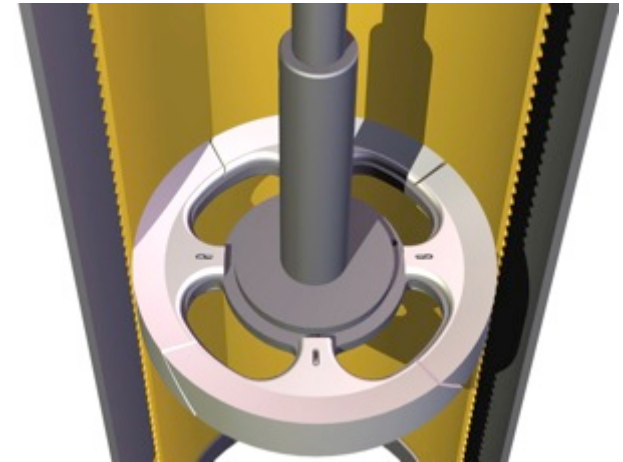
CTF how does it work?



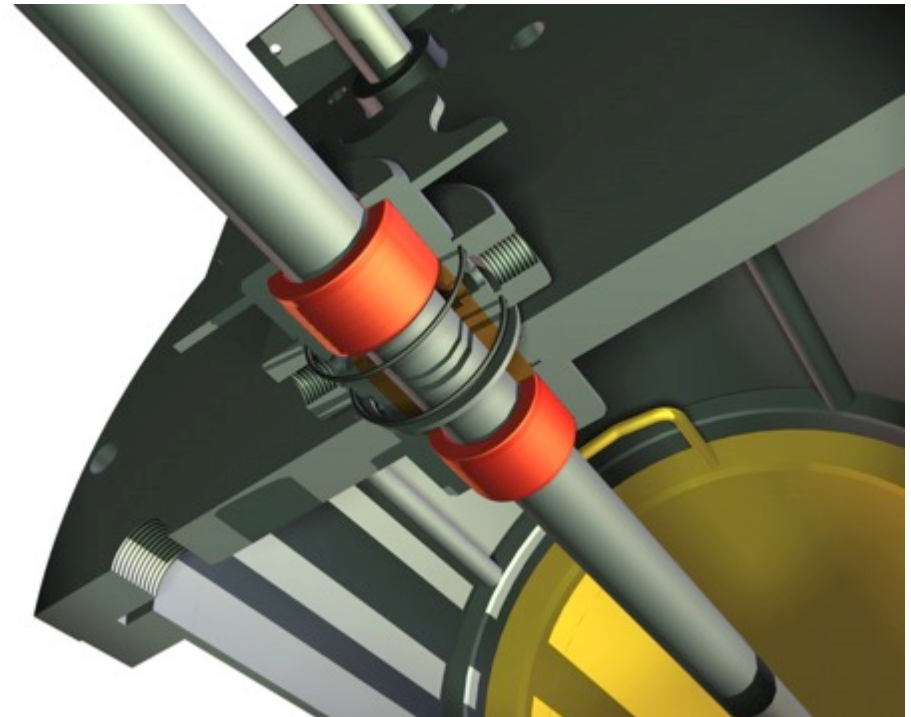
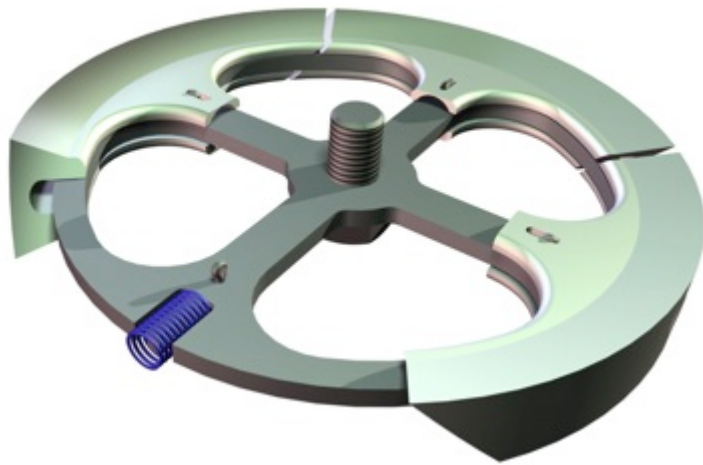
CTF Filter line



CTF filter line in the sizes of 04, 09, 16 and 32



Details



Improved doctor and lid
sealing

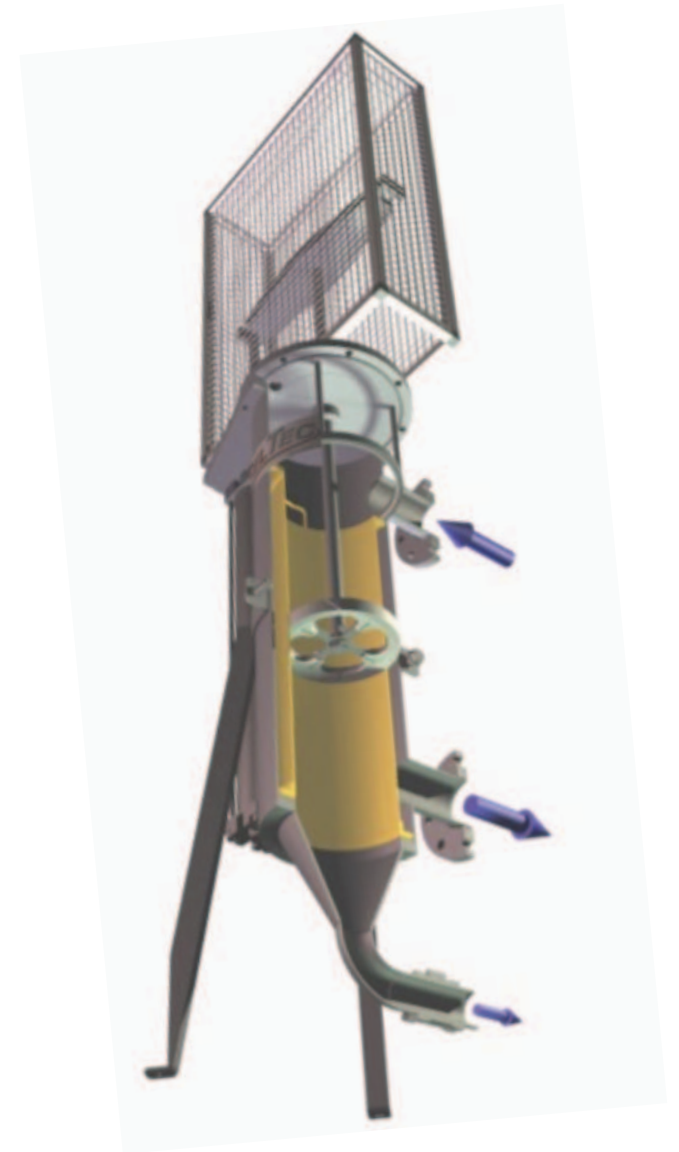
Details



Improved twin design with easy access and quick maintenance

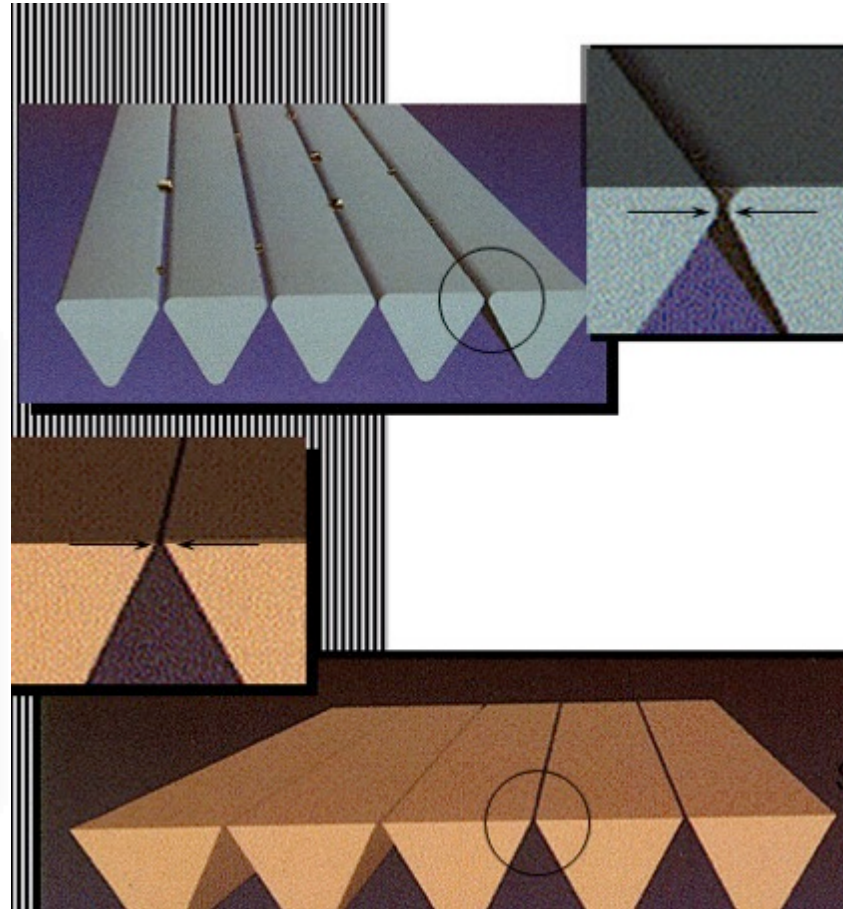
Benefits and features

- Automatic filter
- No disposal
- Only dirt is removed
- Low maintenance
- Low dP
- Self diagnostic
- Good quality



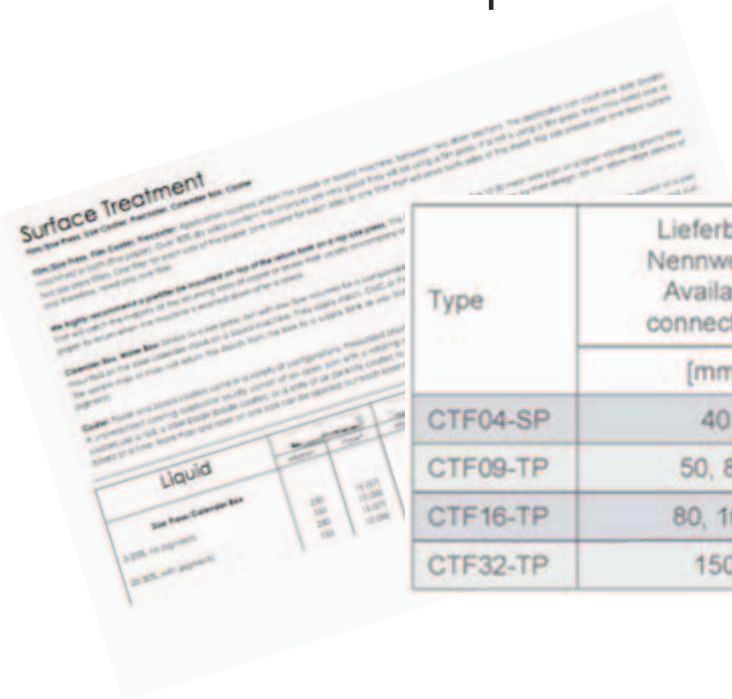
Screen selection

From 25 microns upwards



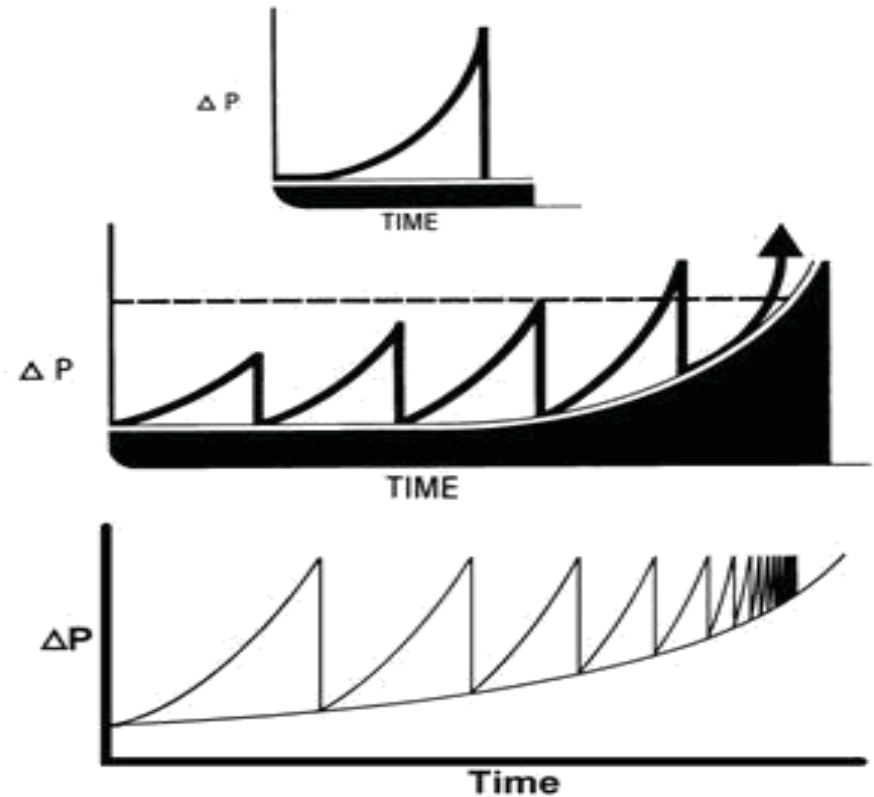
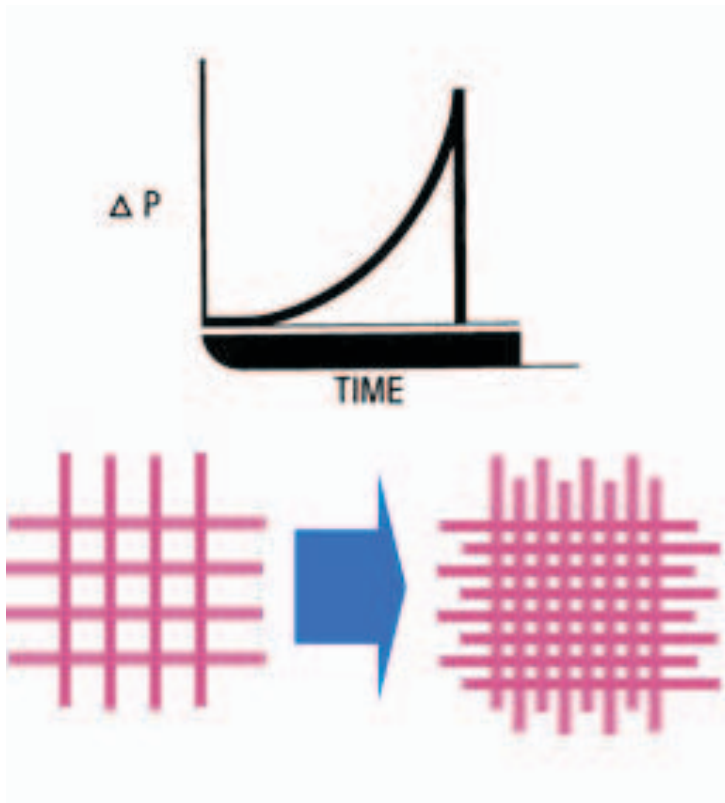
Sizing

- Basic sizing is easy, see table below
- Detailed sizing charts for all liquids in the pulp and paper industry available on request

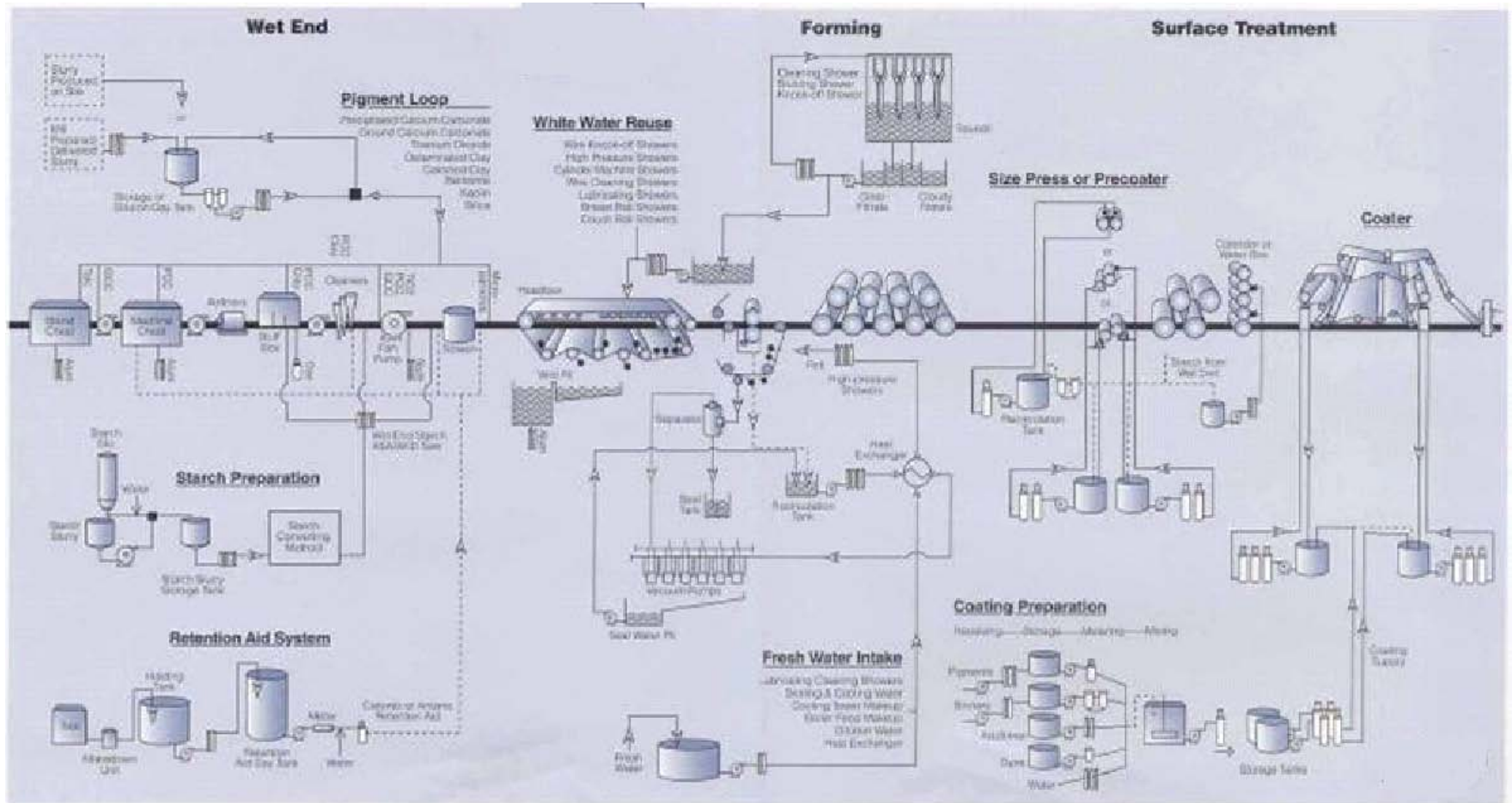


Type	Lieferbare Nennweiten Available connections	Gehäuseinnendruck Nominal pressure	Max. hydr. Durchsatz Max. hydr. Capacity	Filtermedien Filtermedia	Schaberantrieb Scraper drive
	[mm]	[bar]	[m ³ /h]*	[µm]	
CTF04-SP	40	10	20	25 - 1500	pneumatic
CTF09-TP	50, 80	10	80	25 - 1500	pneumatic
CTF16-TP	80, 100	10	125	25 - 1500	pneumatic
CTF32-TP	150	10	250	25 - 1500	pneumatic

Backwash versus continuous cleaning



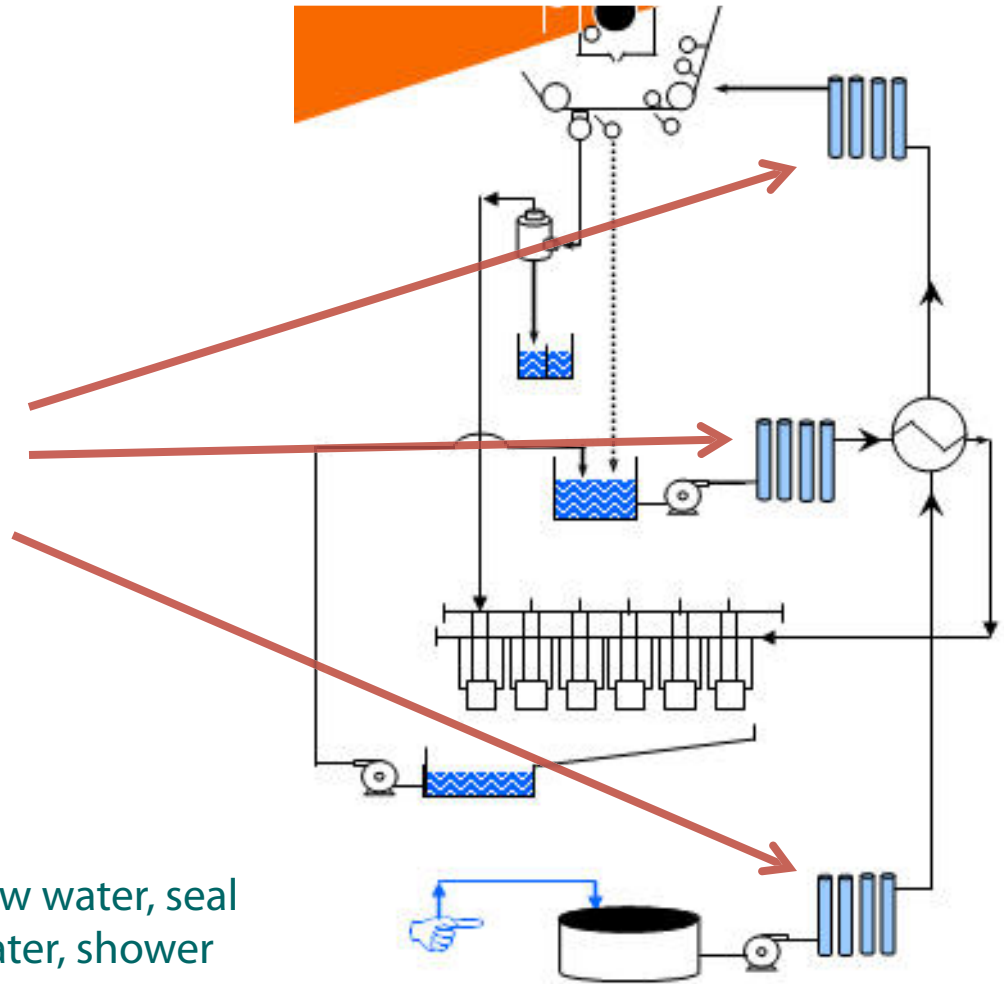
Where to apply filters in a paper mill?



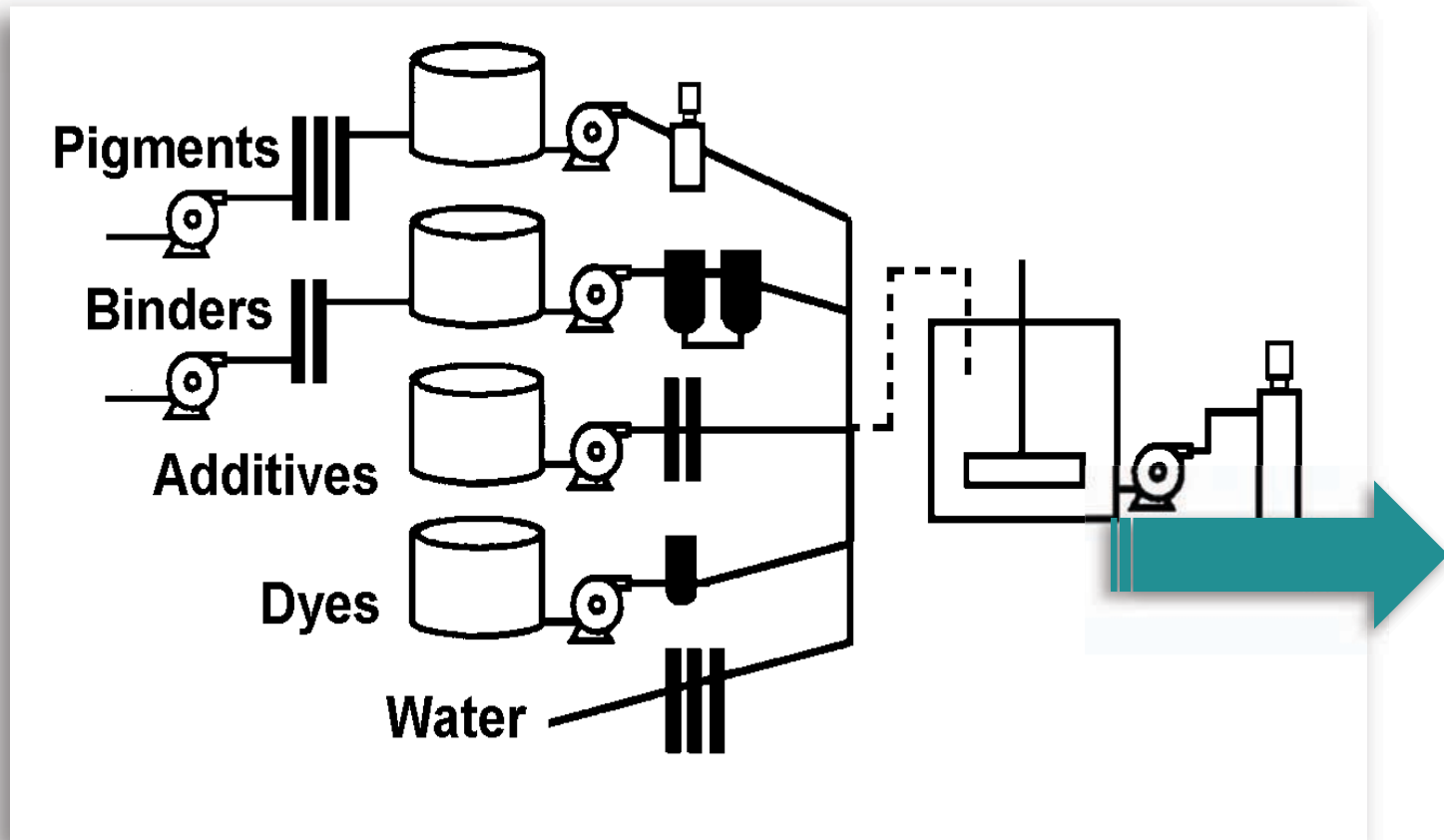
Applications



Raw water, seal
water, shower
water...

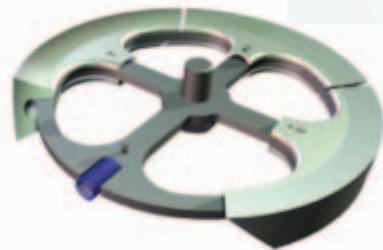


Chemical preparation



Spare parts Ronningen-Petter

- Wear and spare parts for Ronninge-Petter / Eaton filters
- Retrofit kits
- Rebuilds and improvements



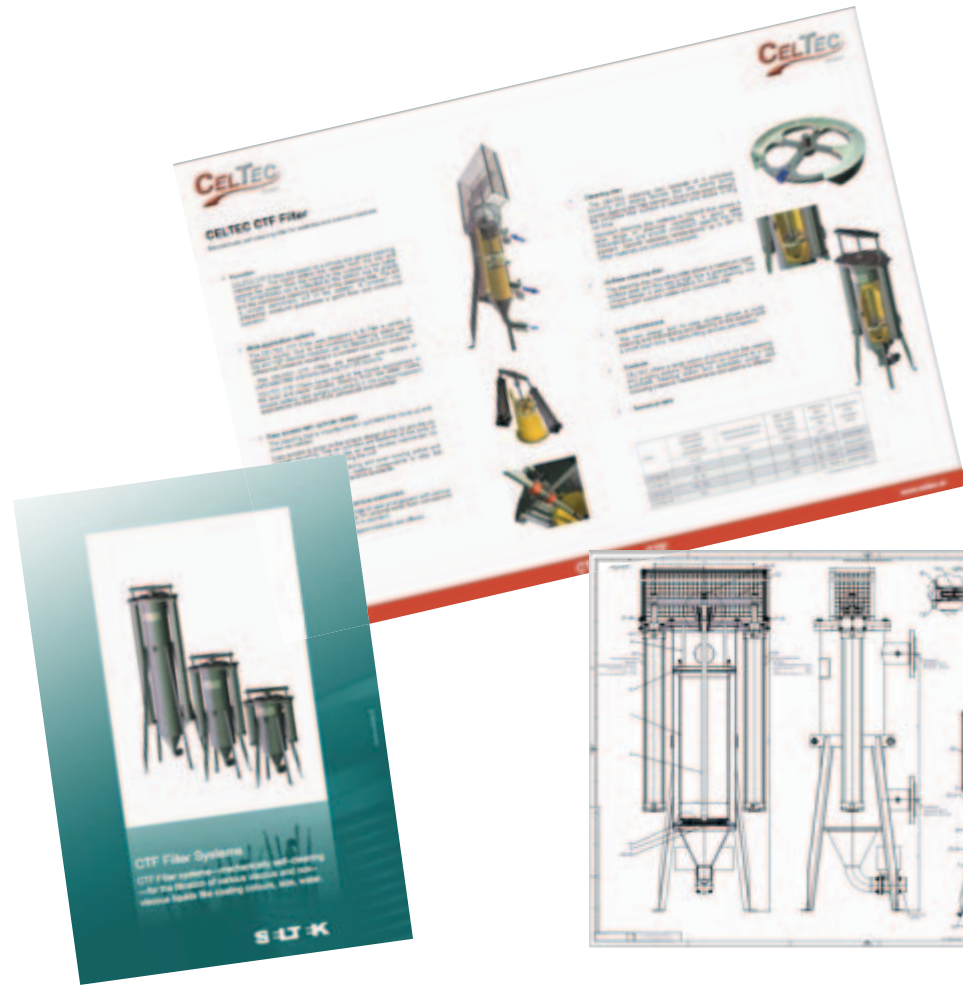
Spare parts Metso RF and LS Filters

- Wear and spare parts for Metso filters
- Retrofit kits
- Rebuilds and improvements



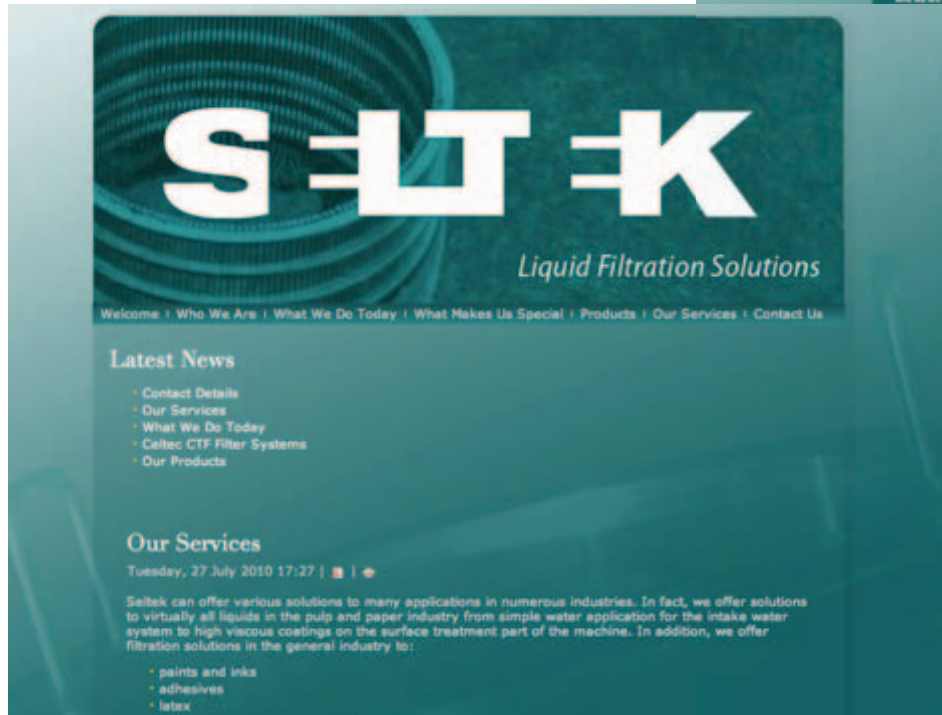
Tools to sell

- Brochure
- Price book
- Drawings
- Sizing charts
- Case stories
- References
- Customer support
- Joined visits



Where to get the tools?

- Check www.seltek.fi
- Get access to the intranet



Check the latest news and stay up to date!

How to get a quote?

- Complete the questionnaire
- Send it to:
office@seltek.fi

Seltek

Customer information:
COMPANY NAME
CONTACT
ADDRESS
PHONE
EMAIL
DATE
FAX

Representative:
NAME AND CONTACT

Process data:
LIQUID
FLOW L/MIN (GPM L/SEC)
TEMPERATURE (C/F)
RETENTION (L/HR)
ELASTOMERS
CONTROLS
PRESSURE (BAR/PSI)
RECOVERY (%)
CONNECTING (IN/3)
OTHER

Filter information:
CURRENT FILTER
SET-UP
CONTAMINANT
WHAT NEEDS TO BE IMPROVED: ?

Spare parts needed:
FILTER SCREEN SIZE AND RETENTION
BLANKS OR DUCT TYPE
GASKETS
SEALS FOR LID
REPAIR KIT
OTHER

Please return the information by email to office@seltek.fi
or by fax number +358 9 344 2146.
Thank you!

Seltek - Special Filtration Solutions - Fax +358 9 344 2185 - office@seltek.fi - www.seltek.fi

SELTEK

Thank You!

Seltek Oy, Kunnallisneuvoksentie 33 C, 00930 Helsinki
FI-00930 Helsinki, Finland
phone +358 40 500 2660, fax +358 9 344 2146, email office@seltek.fi
www.seltek.fi